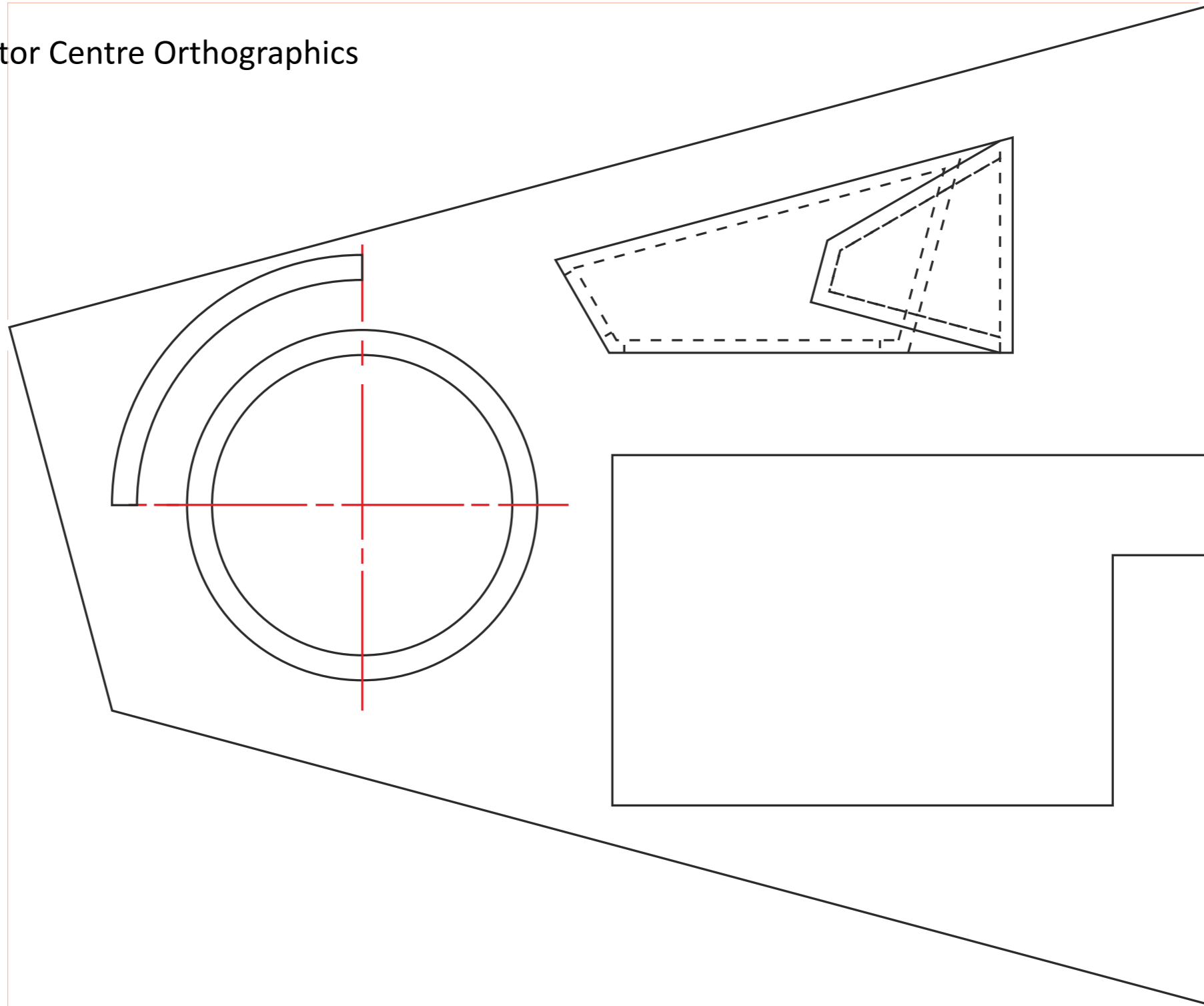
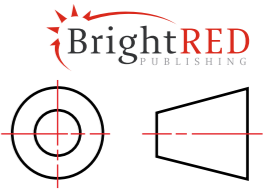


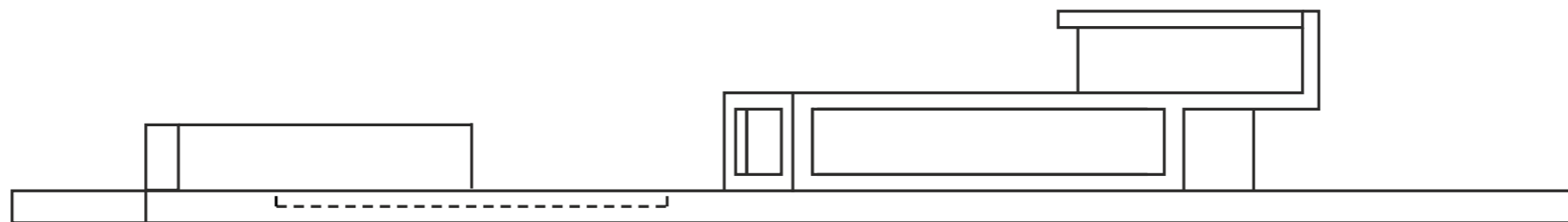
# PLANOMETRIC DRAWING | Visitor Centre Orthographics

To support the worked example on pages 46 - 51.  
Higher Graphic Communication Course Book.

Use the orthographic views to lift and transfer sizes  
onto your planometric drawing (worksheet 2a or 2b).



PLAN



ELEVATION

10mm sq scaling check

Name: \_\_\_\_\_

PLANOMETRIC DRAWING

DATE: \_\_\_\_\_



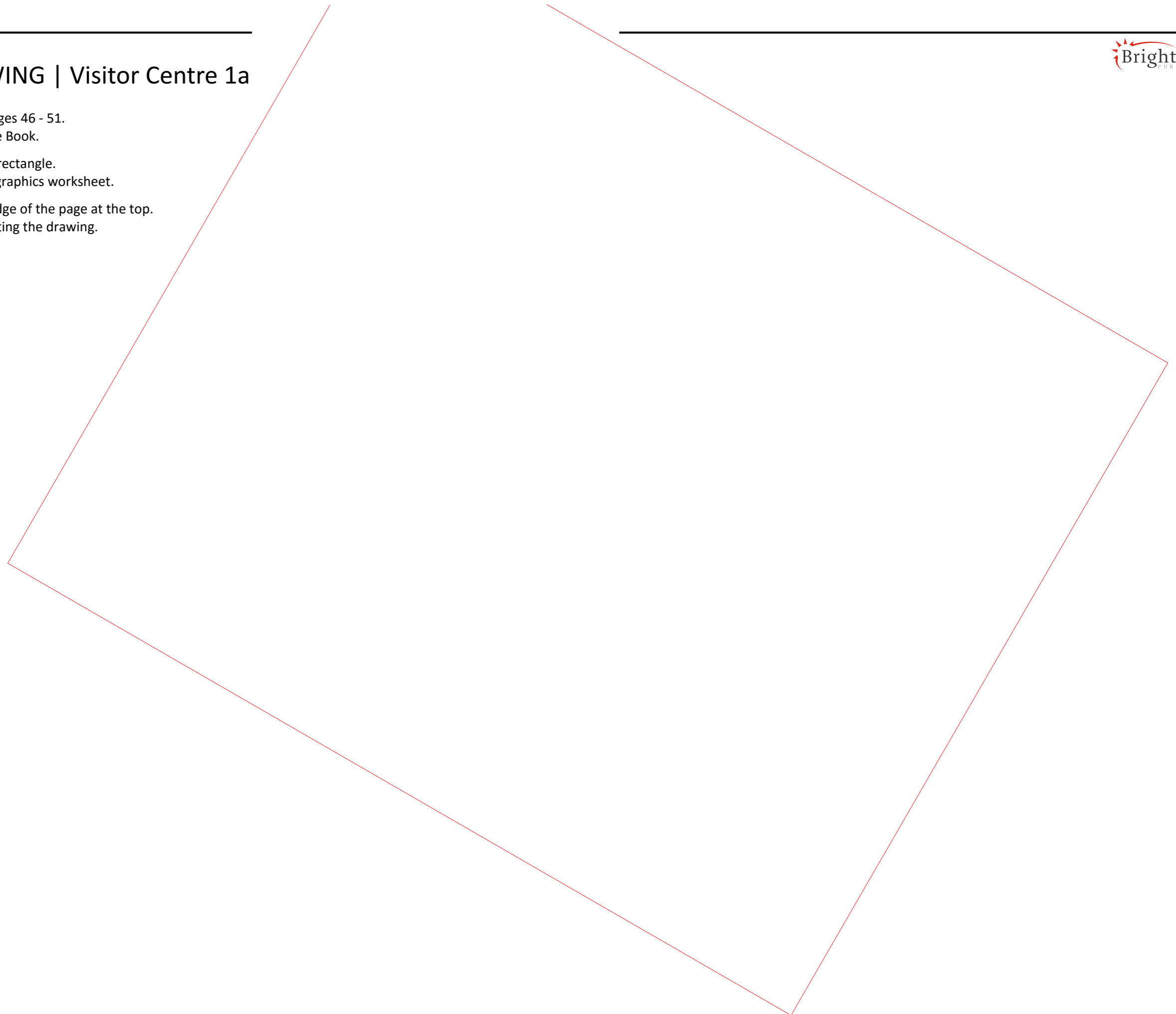
---

## PLANOMETRIC DRAWING | Visitor Centre 1a

To support the worked example on pages 46 - 51.  
Higher Graphic Communication Course Book.

Draw the Planometric view inside the rectangle.  
Lift sizes from the visitor centre orthographics worksheet.

Note: The rectangle passes over the edge of the page at the top.  
This will not prevent you from completing the drawing.



# PLANOMETRIC DRAWING | Visitor Centre 1b

(Easier).

To support the worked example on pages 46 - 51.  
Higher Graphic Communication Course Book.

Draw the Planometric view inside the rectangle.  
Lift sizes from the visitor centre orthographics worksheet.

Note: The rectangle passes over the edge of the page at the top.  
This will not prevent you from completing the drawing.

