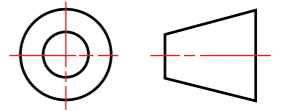


# ISOMETRIC VIEW | Ocular Bench - Detail Drawing

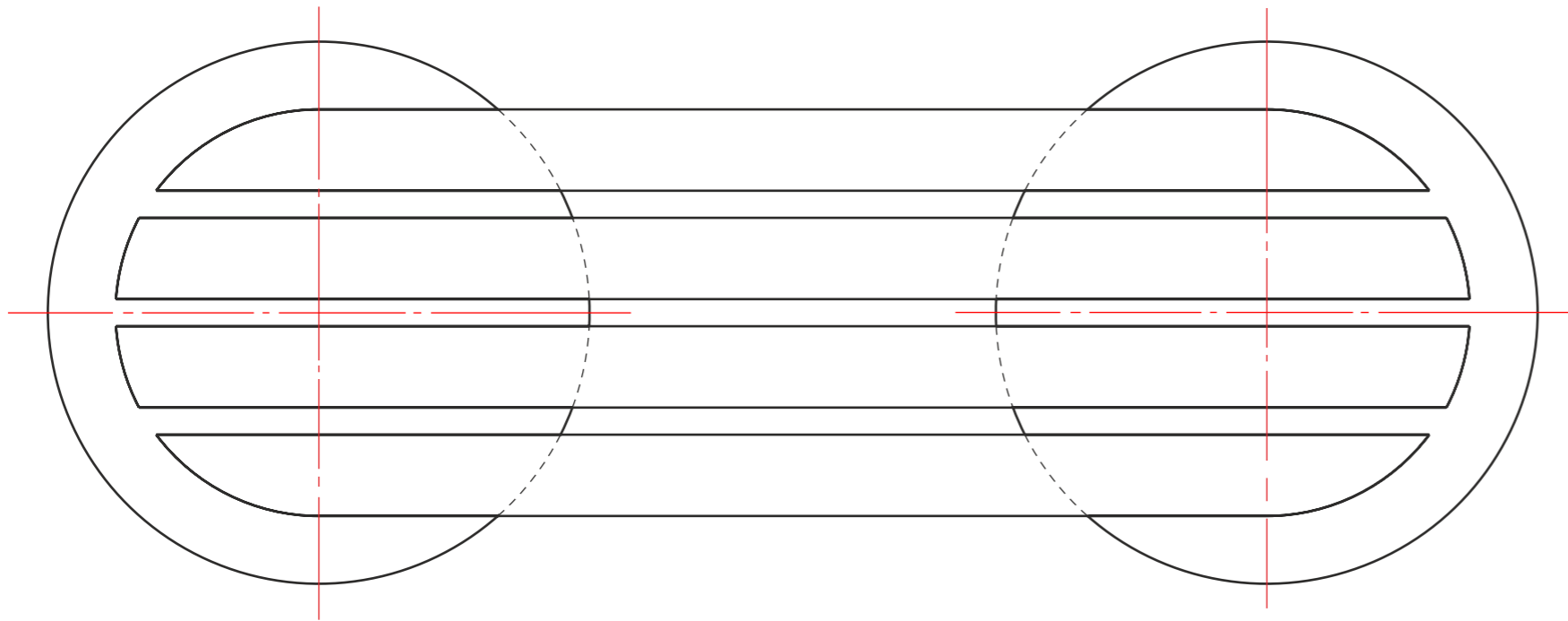
To support the worked example on pages 42 - 45.  
Higher Graphic Communication Course Book.



## Task

Draw, to a scale of 1:10 an isometric view of the Ocular Bench on the worksheet isometric 1a.

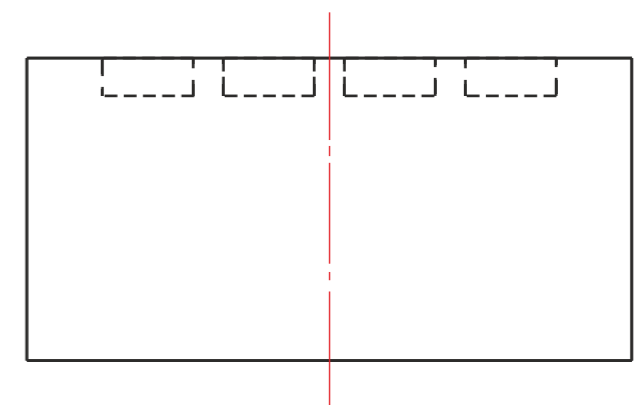
Note: The detail drawing on this worksheet has been scaled and can be used to lift sizes from.  
You should divide up these drawings below as per the worked example in the higher course book pages 42 & 45.



PLAN



ELEVATION



END ELEVATION

10mm sq scaling check

Name:

ISOMETRIC PROJECTION

DATE:

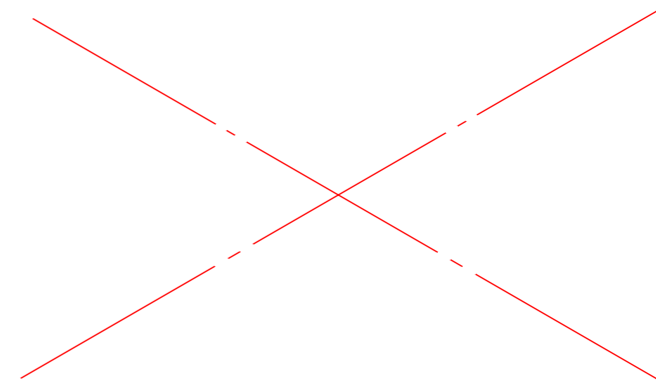
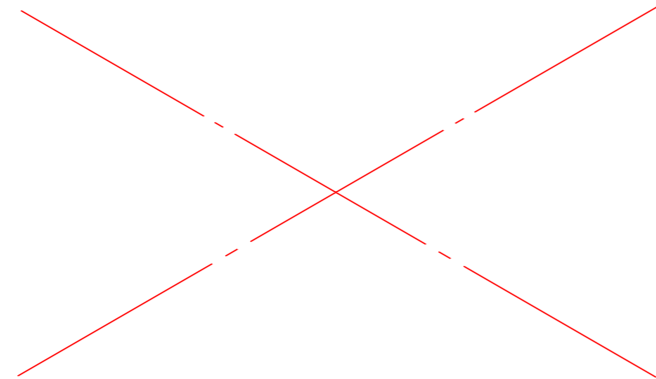
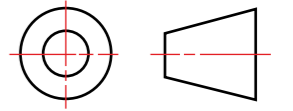
# ISOMETRIC VIEW | Ocular Bench 1a

To support the worked example on pages 42 - 45.  
Higher Graphic Communication Course Book.

## Task

Draw, to a scale of 1:10, an isometric view of the Ocular Bench in the position given.

Note: The detail drawing on the previous worksheet is already scaled and can be used to lift sizes from. Use this worksheet and the detail drawing together.



10mm sq scaling check

Name:

ISOMETRIC PROJECTION

DATE: