

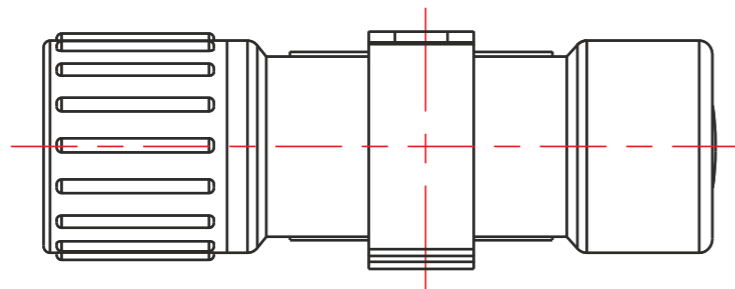
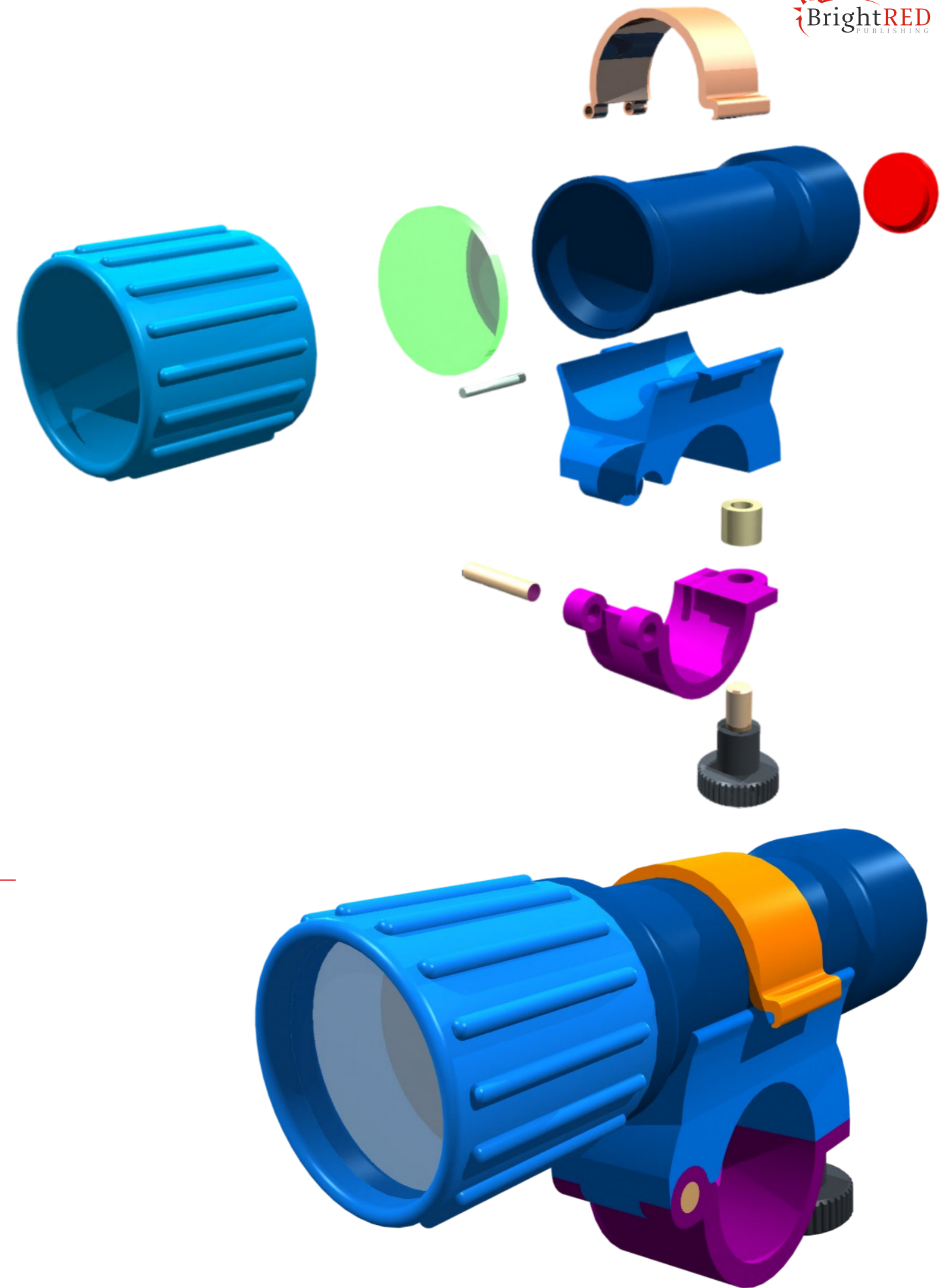
FREEHAND SKETCHING | Torch Tasks

To support the worked example on pages 64 - 69.
Higher Graphic Communication Course Book.

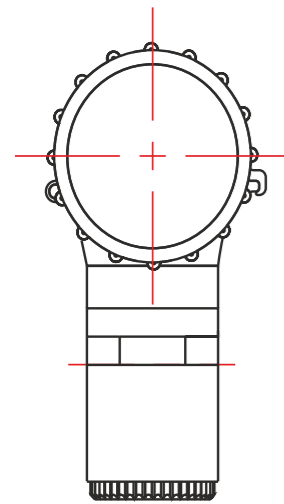
Task

Produce a series of preliminary sketches of the torch and its components.

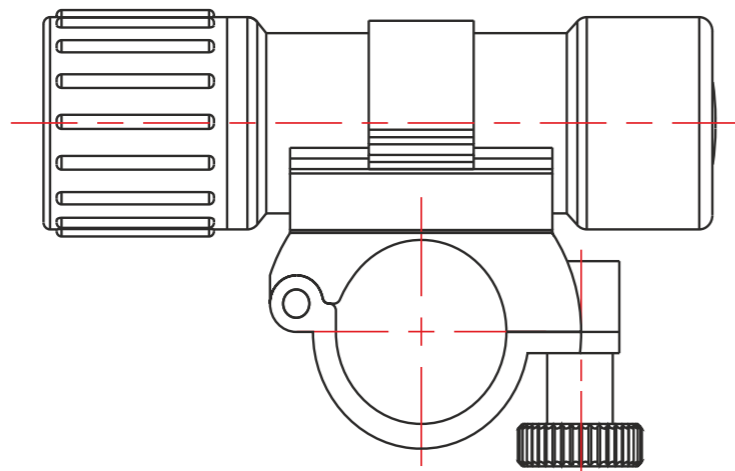
Include: Related orthographic views. A sectional assembly. A pictorial exploded view. A detail showing moving parts.



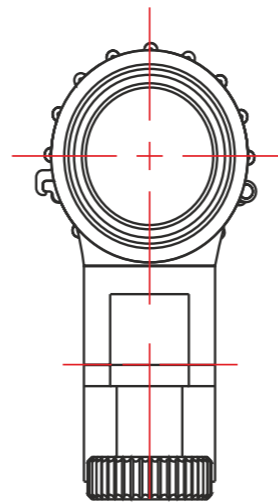
PLAN



END ELEVATION



ELEVATION



END ELEVATION

